



Hangcha Europe GmbH

Mariechen-Graulich-Straße 12a,
65439 Flörsheim am Main,
Germany

Administration
Tel: 0049-61453769188
E-mail: admin@hangchaeurope.com

Sales Management
Thomas Dittrich
Mob: 0049-16096548808
E-mail: thomas.dittrich@hangchaeurope.com

Technical Support
Thomas Pannke
Mob: 0049-01759284213
E-mail: thomas.pannke@hangchaeurope.com

www.hangchaeurope.com



Folgen Sie uns auf
Instagram



Folgen Sie uns auf
Facebook



Folgen Sie uns auf
YouTube



"Hangcha Forklift"
App herunterladen



ISO14001:2015



ISO9001:2015



HANGCHA trucks conform
to the European Safety
Requirements.

2023 VERSION 1/COPYRIGHT 2023/05

HANGCHA Group Co., LTD behält sich das Recht vor, Änderungen bezgl. Farbe, Spezifikationen, Ausstattung und sonstige Details, dierer Broschüre ohne Vorankündigung vorzunehmen. Fahrzeugfarben können von den Farben in dieser Brochure abweichen.



X Series Internal Combustion Tractor

with capacities of 3,500 to 8,000kg

The World of Hangcha
SINCE 1956



X Series Internal Combustion Tractor

Representing the design concept of safety, reliability, comfort and environmental protection, Hangcha's X series 3.5-8.0 ton internal combustion tractor has the features of high power, large traction force, high operating efficiency, etc. and is suitable for medium and short distances and point-to-point logistics transportation.



Exterior

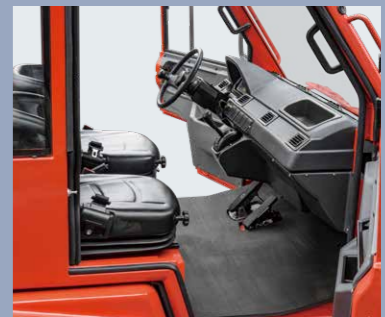
- / The body has a stylish profile formed by a combination of large arcs and streamlined curved surfaces. The easy pass-through chassis and the cab are arranged appropriately, bringing visual tension and sense of power and following the latest international trend of exterior design.
- / The vehicle is compact in appearance and the exposed parts are environmentally friendly large stamped metal parts, which are robust and reliable. The interior is composed of large injection molded parts, which are integrally molded, fully cover the inside and are luxurious and generous.

Safety and reliability

- / The front part, beam, etc. which are molded with 20mm thick steel plates and the welded body, all have high strength and are suitable for pushing operations.
- / Two sets of independent air-push-liquid all-wheel braking systems, with double pipelines arranged in an X shape and front and rear partial pressure, enable safe, stable and reliable braking and are suitable for remote control of trailer braking. With the air cylinder design, they can even brake reliably when not powered.
- / The foolproof self-limited gear shifter makes gear shifting easy and reliable.
- / The traction device with a safety buckle and self-locking function provides double protection and prevents the traction pin from jumping or being mis-operated.
- / With the electrical main switch, emergency shut-off and stalling can be performed safely and reliably.

Comfort

- / With the human-machine interaction system that consists of compact and reliable novel digital multifunctional instruments with clear liquid crystal displays, a combination rocker switch and a standard speedometer, the operations of the vehicle can be shown clearly.
- / Special forklift technologies such as a horizontal cylinder steering axle, a full hydraulic steering gear, etc. are used and the steering force is less than 10N.
- / The advanced chassis elastic suspension technology and the long wheelbase and large flexibility design enable a great ride comfort.
- / The wide-view cab with an integral frame is flexibly connected to the body, and has good sealing, sound insulation, vibration isolation and heat insulation, etc. It is equipped with a cooling and heating air conditioner to improve the driver's comfort and operating ease.



Environmental protection

- / Well matching the high-efficiency gearbox, the low-speed and high-torque engine provides strong power and enables high efficiency and good economy of the vehicle.
- / The emission complies with national standards, and a higher level of environmental protection configuration is optional (in compliance with the national test standard IV).
- / Asbestos-free materials, which can be recycled and reused, are used for the vehicle.

Maintainability

- / With the design of a wide-opened hood, when the hood is opened, the engine, fuel tank, water tank, oil pump, steering gear, etc. are all exposed to facilitate repair and maintenance.
- / The electrical controllers, battery, etc. are arranged concentratedly and the fuses are installed separately to facilitate maintenance.

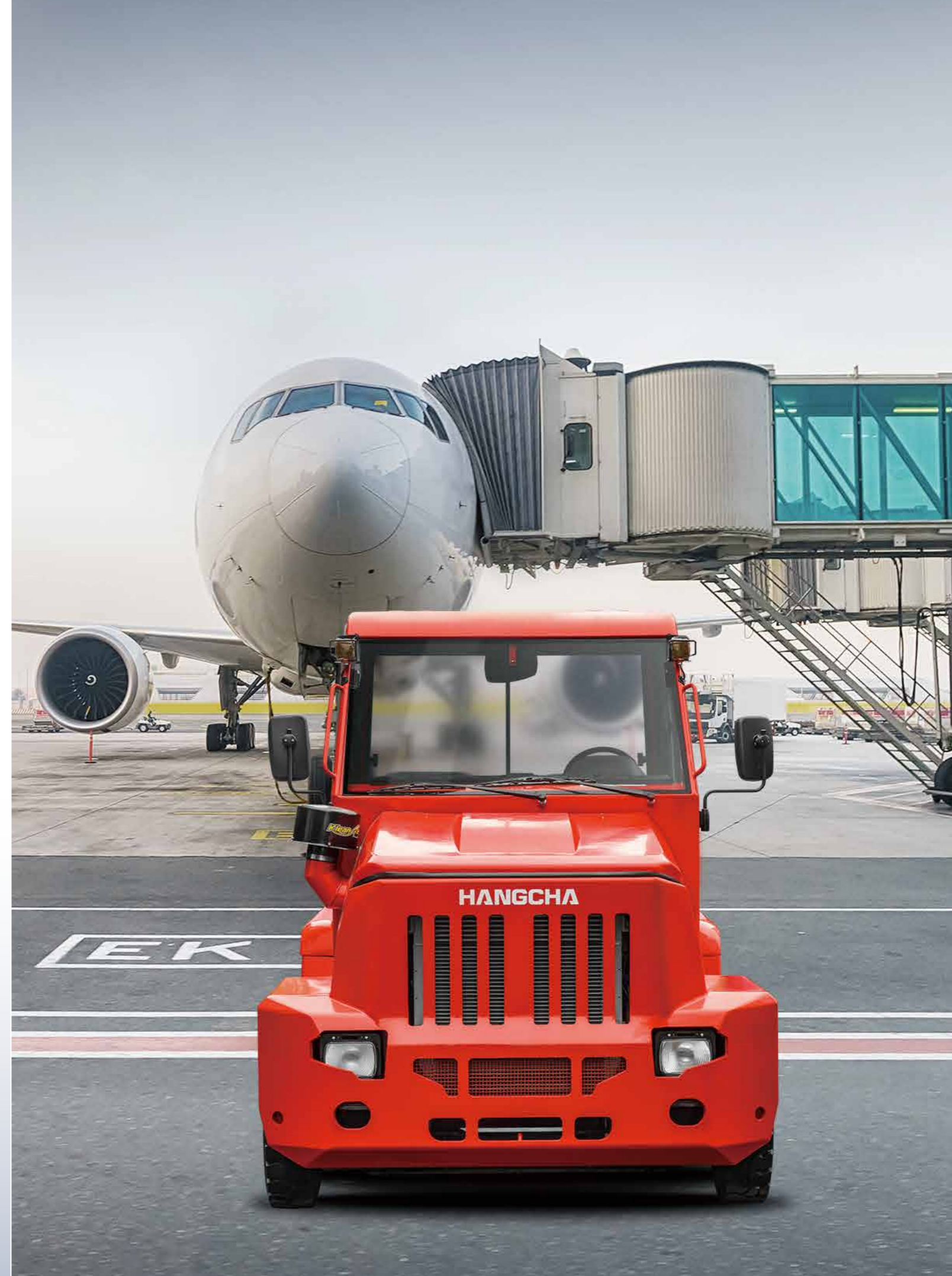


Standard Specification

- / Headlights (high-beam and low-beam)
- / Turn signal lights
- / Combination LED tail lights
- / Oil gauge
- / Water thermometer
- / Engine hour counter
- / Engine oil pressure alarm
- / Gearbox oil temperature alarm
- / Gearbox oil pressure meter
- / Fully-suspended seat
- / Electric horn
- / Reverse buzzer
- / Main power switch
- / Speedometer
- / Cup holder
- / Fire extinguisher
- / Front wiper
- / Reflective mirror
- / Rearview mirror
- / Tool box
- / Ceiling light
- / Large integral rubber pedal pads
- / Boarding handle
- / Fully hydraulic steering
- / Steering wheel adjusting device
- / Air-push-liquid braking system
- / Heater
- / Front glass defroster
- / Neutral gear safety switch

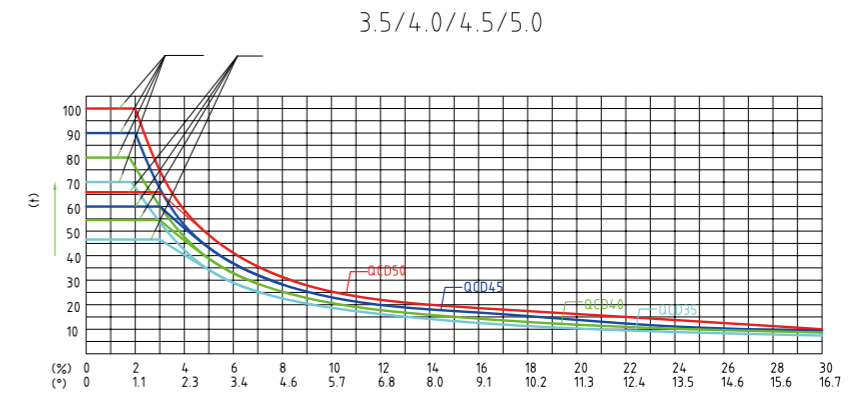
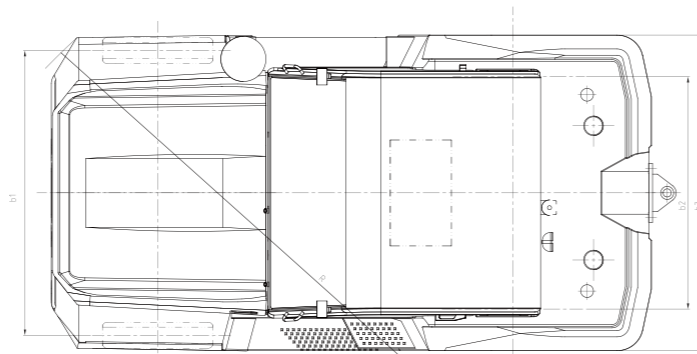
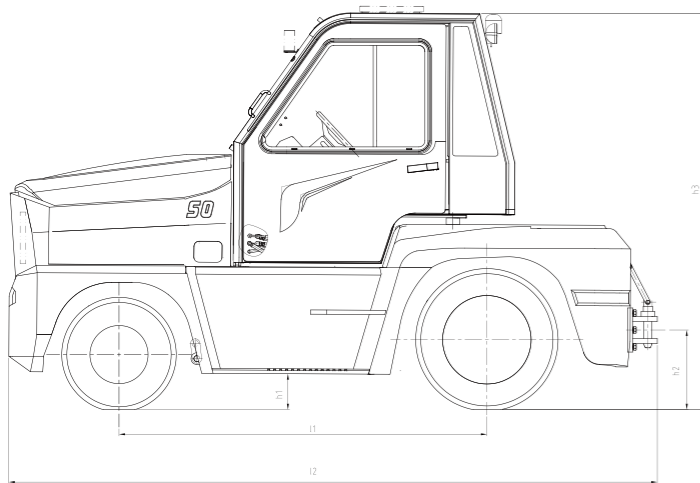
Options

- / Police light
- / Rear work light
- / Speed limit alarm
- / Traction pin height scheme
- / Awning
- / Front wiper
- / Air conditioner
- / Fuel tank cap locked
- / Front hook
- / Solid tire
- / Remote trailer braking and electrical output
- / User specified colors



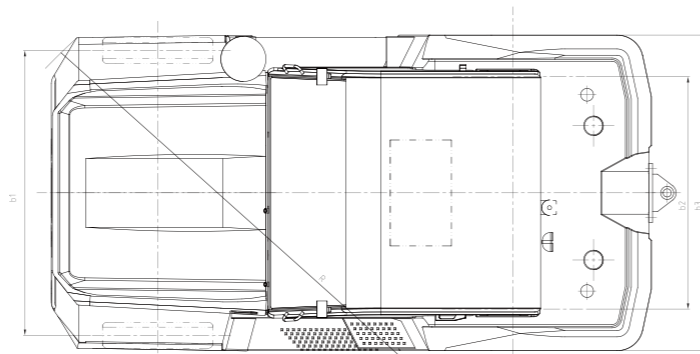
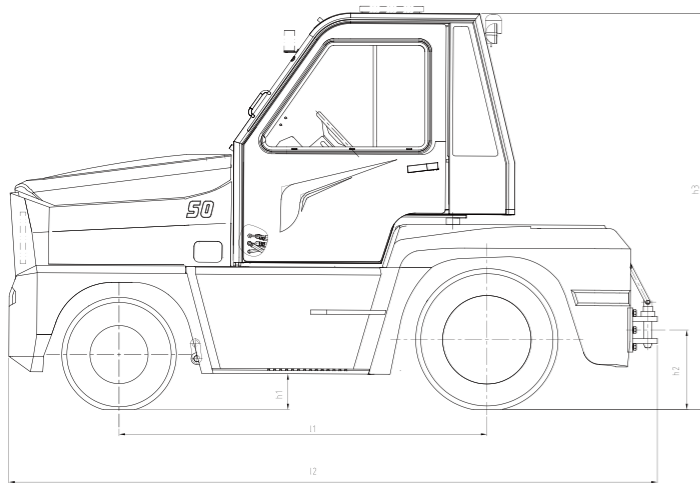
X Series 3.5-5.0t Internal Combustion Tractor Specification

		HANGCHA GROUP CO.,LTD.																					
Distinguishing mark	1.1	Manufacturer																					
	1.2	Manufacturer's type designation	QCD35-XG77	QCD40-XG77	QCD45-XG77	QCD50-XG77	QCD35-XG77B	QCD40-XG77B	QCD45-XG77B	QCD50-XG77B	QCD35-XW42B	QCD40-XW42B	QCD45-XW42B	QCD50-XW42B	QCD35-XG87	QCD40-XG87	QCD45-XG87	QCD50-XG87	QCD35-XG87B	QCD40-XG87B	QCD45-XG87B	QCD50-XG87B	
	1.3	Drive: electric (battery or mains), diesel, petrol, fuel gas	Diesel																				
	1.7	Rated drawbar pull	N	35000	40000	45000	50000	35000	40000	45000	50000	35000	40000	45000	50000	35000	40000	45000	50000	35000	40000	45000	50000
Weight		Towing Weight(one pallet)	kg	47000	53000	60000	66000	47000	53000	60000	66000	47000	53000	60000	66000	47000	53000	60000	66000	47000	53000	60000	66000
		Towing Weight(Two pallet)	kg	70000	80000	90000	100000	70000	80000	90000	100000	70000	80000	90000	100000	70000	80000	90000	100000	70000	80000	90000	100000
	1.9	Wheelbase	y (mm)	2170	2170	2170	2170	2170	2170	2170	2170	2170	2170	2170	2170	2170	2170	2170	2170	2170	2170	2170	2170
	2.1	Service Weight	kg	5800	6300	6800	7300	5800	6300	6800	7300	5800	6300	6800	7300	5800	6300	6800	7300	5800	6300	6800	7300
Tyres, chassis	2.3	Axle loading, unladen front/rear	kg	1750/4050	1750/4550	1750/5050	1750/5550	1750/4050	1750/4550	1750/5050	1750/5550	1750/4050	1750/4550	1750/5050	1750/5550	1750/4050	1750/4550	1750/5050	1750/5550	1750/4050	1750/4550	1750/5050	1750/5550
	3.2	Tyre size, front		2-7.00-12-12PR				2-7.00-12-12PR				2-7.00-12-12PR				2-7.00-12-12PR							
	3.3	Tyre size, rear		4-7.50-16-14PR		4-8.25-15-14PR		4-7.50-16-14PR		4-8.25-15-14PR		4-7.50-16-14PR		4-8.25-15-14PR		4-7.50-16-14PR		4-8.25-15-14PR		4-7.50-16-14PR		4-8.25-15-14PR	
	3.6	Tread, front	b10 (mm)	1740				1740				1740				1740							
Dimensions	3.7	Tread, rear	b11 (mm)	1420				1420				1420				1420							
	4.7	Height of overhead guard (cabin)	h6 (mm)	2422				2422				2422				2422							
	4.12	Coupling height	h10 (mm)	470				470				470				470							
	4.19	Overall length	l1 (mm)	3825				3825				3825				3825							
	4.21	Overall width	b1 (mm)	1930				1930				1930				1930							
	4.32	Ground clearance, centre of wheelbase	m2 (mm)	200				200				200				200							
	4.35	Turning radius	Wa (mm)	3850				3850				3850				3850							
Performance data	5.1	Travel speed, laden/unladen	km/h	-/22				-/22				-/28				-/22							
	5.7	Gradeability, laden/unladen	%	-/30				-/30				-/30				-/30							
	5.10	Service brake		Steam Push Fluid				Steam Push Fluid				Steam Push Fluid				Steam Push Fluid							
		Parking brake		Mechanical				Mechanical				Mechanical				Mechanical							
Combustion-engine	7.1	Engine manufacturer/type		YUCHAI/YC4A115-T300				YUCHAI/YC4A115-T300				CUMMINS/QS84.5-110				YUCHAI/YCA05115-T480							
		Emission STD.		CN Stage III				CN Stage III				Euro III				CN Stage IV							
	7.2	Engine power according to DIN ISO 1585	kw	85				85				82				85							
	7.3	Rated speed	min	2200				2200				2200				2200							
	7.4	Number of cylinders/displacement	(-)/(cm³)	-/4836				-/4836				-/450				-/4837							
	7.10	Battery voltage/nominal capacity	V/Ah	24/90				24/90				24/95				24/90							
		Rated Torque	Nm/(r/min)	450/1600-1800				450/1600-1800				488/1500				480/1600-1800							
		Bore×Stroke	mm	108×132				108×132				107×124				108×132							
		Transmission Manufacture		CHINA				OKAMURA				OKAMURA				CHINA							
		Transmission Type		Powershift				Powershift				Powershift				Powershift							
	Gear Fwd/Rvs		2/1				2/1				2/1				2/1								
10.4	Fuel tank capacity	liter	165				165				165				165								



X Series 6.0-8.0t Internal Combustion Tractor Specification

		HANGCHA GROUP CO.,LTD.																	
Distinguishing mark	1.1	Manufacturer																	
	1.2	Manufacturer's type designation	QCD60-XG90	QCD70-XG90	QCD80-XG90	QCD60-XG90B	QCD70-XG90B	QCD80-XG90B	QCD60-XG83	QCD70-XG83	QCD80-XG83	QCD60-XG83B	QCD70-XG83B	QCD80-XG83B	QCD60-XW42B	QCD70-XW42B	QCD80-XW42B		
	1.3	Drive: electric (battery or mains), diesel, petrol, fuel gas	Diesel	Diesel	Diesel	Diesel	Diesel	Diesel	Diesel	Diesel	Diesel	Diesel	Diesel	Diesel	Diesel	Diesel	Diesel		
	1.7	Rated drawbar pull	N	60000	70000	80000	35000	40000	45000	60000	70000	80000	60000	70000	80000	60000	70000	80000	
Weight		Towing Weight(one pallet)	kg	80000	90000	100000	47000	53000	60000	80000	90000	100000	80000	90000	100000	80000	90000	100000	
		Towing Weight(Two pallet)	kg	120000	135000	150000	70000	80000	90000	120000	135000	150000	120000	135000	150000	120000	135000	150000	
	1.9	Wheelbase	y (mm)	2170	2170	2170	2170	2170	2170	2170	2170	2170	2170	2170	2170	2170	2170	2170	
	2.1	Service Weight	kg	8600	9600	10600	8600	9600	10600	8600	9600	10600	8600	9600	10600	8600	9600	10600	
Tyres, chassis	2.3	Axle loading, unladen front/rear	kg	1750/6850	1750/7850	1750/8850	1750/6850	1750/7850	1750/8850	1750/6850	1750/7850	1750/8850	1750/6850	1750/7850	1750/8850	1750/6850	1750/7850	1750/8850	
	3.2	Tyre size, front		2-7.50-16-14PR				2-7.50-16-14PR				2-7.50-16-14PR				2-7.50-16-14PR			
	3.3	Tyre size, rear		4-9.00-20-14PR 4-8.25-15-14PR				4-9.00-20-14PR 4-8.25-15-14PR				4-9.00-20-14PR 4-8.25-15-14PR				4-9.00-20-14PR 4-8.25-15-14PR			
	3.6	Tread, front	b10 (mm)	1715				1715				1715				1715			
Dimensions	3.7	Tread, rear	b11 (mm)	1600				1600				1600				1600			
	4.7	Height of overhead guard (cabin)	h6 (mm)	2522				2522				2522				2522			
	4.12	Coupling height	h10 (mm)	470				470				470				470			
	4.19	Overall length	l1 (mm)	3865				3865				3865				3865			
	4.21	Overall width	b1 (mm)	1930				1930				1930				1930			
	4.32	Ground clearance, centre of wheelbase	m2 (mm)	200				200				200				200			
	4.35	Turning radius	Wa (mm)	4450				4450				4450				4450			
Performance data	5.1	Travel speed, laden/unladen	km/h	-/24				-/30				-/24				-/30			
	5.7	Gradeability, laden/unladen	%	-/30				-/30				-/30				-/30			
	5.10	Service brake		Steam Push Fluid				Steam Push Fluid				Steam Push Fluid				Steam Push Fluid			
		Parking brake		Mechanical				Mechanical				Mechanical				Mechanical			
Combustion-engine	7.1	Engine manufacturer/type		YUCHAI/YCA07160-T400				YUCHAI/YCA07160-T400				YUCHAI/YCA07160-T300				YUCHAI/YCA07160-T300			
		Emission STD.		CN Stage IV				CN Stage IV				CN Stage III				CN Stage III			
	7.2	Engine power according to DIN ISO 1585	kw	118				118				118				118			
	7.3	Rated speed	min	2200				2200				2200				2200			
	7.4	Number of cylinders/displacement	(-)/(cm³)	-/6870				-/6870				-/6870				-/6870			
	7.10	Battery voltage/nominal capacity	V/Ah	24/90				24/90				24/90				24/90			
		Rated Torque	Nm/(r/min)	670/1400-1700				670/1400-1700				670/1400-1700				670/1400-1700			
		Bore×Stroke	mm	108×125				108×125				108×125				108×125			
		Transmission Manufacture		CHINA				OKAMURA				OKAMURA				OKAMURA			
		Transmission Type		Powershift				Powershift				Powershift				Powershift			
10.4	Fuel tank capacity	liter	165				165				165				165				



6.0/7.0/8.0

